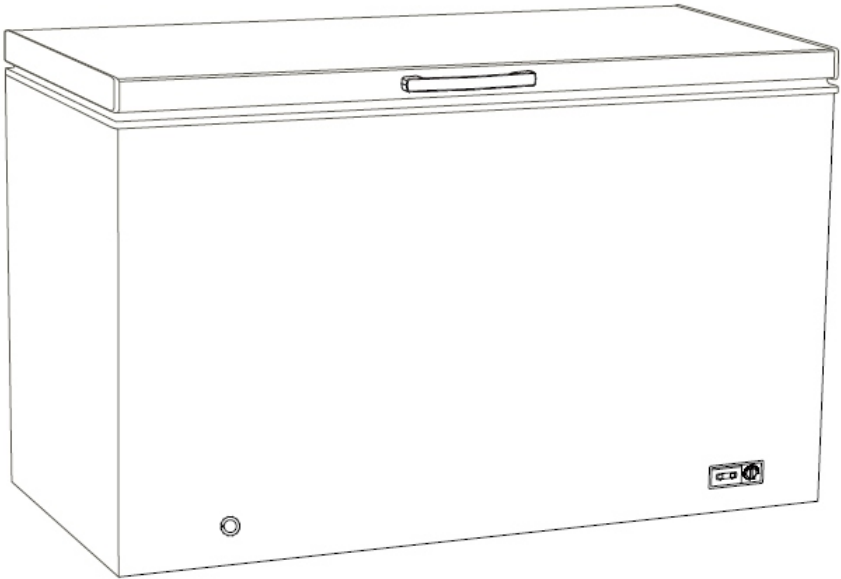



newWORLD®



INSTRUCTION MANUAL

CHEST FREEZER

NW400CF

Welcome

Dear users, this manual contains the product's basic knowledge, how to use it, fault diagnosis and basic troubleshooting methods. In order to better understand and use this product, please take good care of this manual and read it carefully.

Help and Guidance

We're here to help you get the most from your Chest Freezer. Should you require any guidance, a simple solution can often be found online at:

www.newworldassist.co.uk

If you still require further assistance, call one of our experts on 0333 3052263.


If you require any technical guidance or find that your product is not operating as intended, a simple solution can often be found in the Troubleshooting section of these instructions, or online at www.newworldassist.co.uk. If you still require further assistance, call one of our experts on 0333 3052263.

Contents

I.	Safety Instructions	4
II.	Product Features	8
III.	Transportation Instructions	9
IV.	Installation Instructions	10
V.	Getting Started	11
VI.	Freezer Operation	12
VII.	Instructions for Food Storage	13
VIII.	Cleaning and Care	15
IX.	Certifications	17
X.	Product Support	18
XI.	Guarantee	19

* Varying with Different Products

I. SAFETY INSTRUCTIONS

 **WARNING:** It is hazardous for anyone other than authorised service personnel to carry out servicing or repairs which involves the removal of covers. To avoid the risk of an electric shock, do not attempt to repair this appliance yourself.



WARNING: Risk of fire / flammable materials.

Safety Warnings and Information

WARNING: Do not use inside your freezer any electrical appliances such as a hair dryer or heater to defrost your Freezer or within the cabinet for any other reason. (Unless recommended by the manufacturer)

WARNING: Containers with flammable gases or liquids can leak at low temperatures.

WARNING: Do not store any containers with flammable materials, such as spray cans, fire extinguisher, refill cartridges etc. in the Freezer.

WARNING: Do not place carbonated or fizzy drinks in the Freezer compartment. Ice lollies can cause "Frost/Freeze burns" if consumed straight from the Freezer.

WARNING: Do not remove items from the Freezer if your hands are damp/wet, as this could cause skin abrasions or "Frost/Freezer burns". Bottles and cans must not be placed in the Freezer compartment as they can burst when the contents freeze.

WARNING: Manufacturer's recommended storage times should be adhered to. Refer to relevant instructions.

WARNING: Do not allow children to tamper with the controls or play with the appliance.

IMPORTANT: The appliance is heavy. Care should be taken when moving it. It is dangerous to alter the specification or attempt to modify this product in any way.

WARNING: Do not store flammable gases or liquids inside your Freezer.

IMPORTANT: If the power cable is damaged, it must be replaced by the manufacturer, its service agent or similarly qualified persons in order to avoid a hazard.

WARNING: This appliance can be used by children aged from 8 years and above and persons with reduced physical, sensory or mental capabilities or lack of experience and knowledge, if they have been given supervision or instruction concerning use of the appliance in a safe way and understand the hazards involved. Children shall not play with the appliance. Cleaning and user maintenance shall not be made by children without supervision.

IMPORTANT: This appliance is intended to be used in household and similar applications such as

- staff kitchen areas in shops, offices and other working environments,
- farm houses and by clients in hotels, motels and other residential type environments,
- bed and breakfast type environments,
- catering and similar non-retail applications.
- Keep ventilation openings, in the appliance enclosure or in the built-in structure, clear of obstruction.
- Do not use mechanical devices or other means to accelerate the defrosting process, other than those recommended by the manufacturer.
- Do not damage the refrigerant circuit.

- Do not store explosive substances such as aerosol cans with a flammable propellant in this appliance.
- This appliance is not intended for use by persons (including children) with reduced physical, sensory or mental capabilities, or lack of experience and knowledge, unless they have been given supervision or instruction concerning use of the appliance by a person responsible for their safety. Children should be supervised to ensure that they do not play with the appliance.

IMPORTANT: Keep ventilation openings in the appliance enclosure or in the built-in structure, clear of obstruction.

WARNING: Do not use mechanical devices or other means to accelerate the defrosting process, other than those recommended by the manufacturer.

WARNING: Do not damage the refrigerant circuit.

WARNING: Refrigerating appliances, might not operate consistently (possibility of defrosting of contents or temperature becoming too warm in the freezer, when appliance is running for an extended period of time, below the cold end of the range of temperatures for which the refrigerating appliance is designed).

WARNING: It is necessary that, for doors or lids fitted with locks and keys, the keys be kept out of the reach of children and not in the vicinity of the refrigerating appliance, in order to prevent children from being locked inside.

WARNING: The refrigerant used in your appliance and insulation materials requires special disposal procedures.

WARNING: When positioning the appliance, ensure the supply cord is not trapped or damaged.

WARNING: Do not locate multiple portable socket-outlets or portable power supplies at the rear of the appliance

Children aged from 3 to 8 years are allowed to load and unload refrigerating appliances.




To avoid contamination of food, please adhere to the following instructions:

- Opening the door for long periods can cause a significant increase of the temperature in the compartments of the appliance.
- Clean regularly surfaces that can come in contact with food and have accessible drainage systems.
- If the appliance is left empty for long periods of time, switch off, defrost, clean, dry, and leave the door open to prevent mould developing within the appliance.

Electrical Supply Connection

- Connect the appliance to the electrical supply (220-240 V ~ 50 Hz) with the plug and lead, which are fitted.
- Connections to the mains supply should be in accordance with local regulations.
- DO NOT use plug adapters.
- The appliance must be plugged into an earthed socket
- Always make sure that the plug is accessible after the appliance has been positioned.
- If the electrical cable is damaged or worn, turn off the appliance and consult an authorised agent for replacement.

Electrical Safety

- ⚡  **WARNING:** When positioning the appliance, ensure the supply cord is not trapped or damaged.
- ⚡  **WARNING:** DO NOT locate multiple portable socket-outlets or portable power supplies at the rear of the appliance
DO NOT use plug adapter.
- ⚡  **WARNING:** Risk of fire / flammable materials

- The plug must be accessible after installation.
- The operating voltage for your appliance is 220-240 V at 50Hz.
- Connections to the mains supply should be in accordance with local regulations.
- Insert the plug into a socket with an efficient ground connection. If the socket has no ground contact or the plug does not match, we recommend you consult a qualified electrician for assistance.
- The appliance must be connected with a properly installed fused socket. The power supply (AC) and voltage at the operating point must match with the details on the name plate of the appliance (the name plate is located on the inside left of the appliance).
- The appliance must be plugged into an earthed socket.
- The plug MUST be accessible after the appliance has been positioned. The cord should be secured and not left exposed or dangling to prevent accidental injury.
- The appliance is supplied with a standard three-pin plug, of which the one for grounding should never be removed.
- Hold the plug, not the electrical cable, when unplugging the appliance.
- Make sure that the appliance does not trap the electric cable.
- DO NOT step on the cable.
- Avoid damage to the electric cable when moving the appliance.

DO NOT use an extension cord with this appliance. If the power cord is too short, have a qualified electrician or service technician install an outlet near the appliance. Use of an extension cord can negatively affect the performance of the unit.

WARNING: Improper use of the grounded plug can result in the risk of electrical shock. If the power cord is damaged, have it replaced by an authorised service provider.

Climate Range

The information about the climate range of the appliance is provided on the rated plate. It indicates at which ambient temperature (that is, the room temperature in which the appliance is working) the operation of the appliance is optimal (proper).

Climate range	Permissible ambient temperature
SN	from +10°C to +32°C
N	from +16°C to +32°C
ST	from +16°C to +38°C
T	from +16°C to +43°C

Note: Given the limit values of the ambient temperature range for the climate classes for which the refrigerating appliance is designed, and the fact that the internal temperatures could be affected by such factors as location of the refrigerating appliance, ambient temperature and the frequency of door opening, the setting of any temperature control device might have to be varied to allow for these factors, if appropriate.

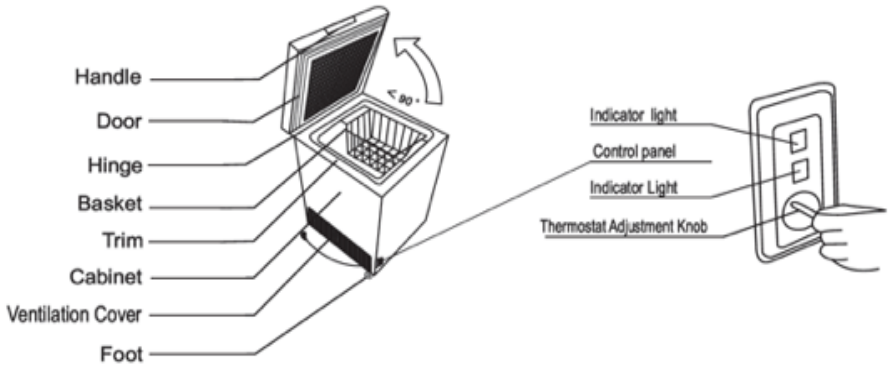
Freon-free

The freon-free refrigerant (R600a) and the foaming insulation material (cyclopentane) are used for this refrigerator and are environmentally friendly, causing no damage to the ozone layer and having very small impact on global warming. R600a is flammable, and sealed in a refrigeration system, without leakage during normal use. In the case of refrigerant leakage due to the refrigerant circuit being damaged, be sure to keep the appliance away from open flames and open the windows for ventilation as quickly as possible.

II. Product Features

Chest Freezer Diagram

Note: Due to technological innovation, the product descriptions in this manual may not be completely consistent with your refrigerator. Details are in accordance with the real product.



⚠ **WARNING** ⚠: Never touch the interior of the Freezer Chamber or frozen foods in the compartment with wet hands as this could result in frost bite.

If your chest freezer comes with a key and lock, keep the key out of reach of children and not in the vicinity of the freezer.

III. Transportation Instructions

The appliance should be transported only in a vertical upright position. The packing as supplied must be intact during transportation.

IMPORTANT: If during the course of transport the product has been transported horizontally, it must only be laid on its left hand side (when facing the door front) and it must not be operated for at least 4 hours to allow the system to settle after the appliance is brought back to an upright position.

1. Failure to comply with the above instructions could result in damage occurring to the appliance.
2. The appliance must be protected against rain, moisture and other atmospheric influences.

IMPORTANT: Care must be taken while cleaning / carrying the appliance to avoid touching the condenser metal wires at the back of the appliance, as you might injure your fingers and hands or damage your product.

IMPORTANT: This appliance is not designed for stacking with any other appliance. Do not attempt to sit or stand on top of your appliance as it is not designed for such use. You could injure yourself or damage the appliance.

IMPORTANT: Make sure that the mains cable is not caught under the appliance during and after carrying / moving the appliance, to avoid the mains cable becoming cut or damaged.

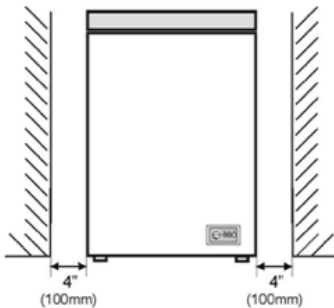
 - When positioning your appliance take care not to damage your flooring, pipes, wall coverings etc. Do not move the appliance by pulling by the lid or handle.
 - Do not allow children to play with the appliance or tamper with the controls.

IV. Installation Instructions

1. Avoid placing the appliance near cookers, radiators or in direct sunlight as this will cause the compressor to run for long periods. If installed next to a source of heat or refrigerator, maintain the following minimum side clearances:

From Cookers	4" (100 mm)
From Radiators	12" (300 mm)
From Fridges	4" (100 mm)

Make sure that sufficient room is provided around the appliance to ensure free air circulation. Ideally, A space of no less than 10cm must be left around the freezer, and ensure you allow gaps as shown in the below diagram.



IMPORTANT: Unobstructed ventilation shall be maintained around the appliance or in an embedded structure.

2. The appliance should be located on a smooth surface. By placing the appliance on a solid and flat ground will keep the appliance stable and ensure it will not give rise to vibration and noise.
3. Do not use the freezer outdoors.
4. Protect the freezer from moisture. Do not locate the freezer in a moist space to avoid the metal parts rusting. Also do not spray water on the freezer, otherwise it will weaken the insulation and causes current leakage.
5. Refer to "Cleaning and Care" section to prepare your appliance for use.
6. If the freezer is installed in unheated areas, garages etc., in cold weather condensation may form on the outer surfaces. This is quite normal and is not a fault. Remove the condensation by wiping with a dry cloth.

V. GETTING STARTED

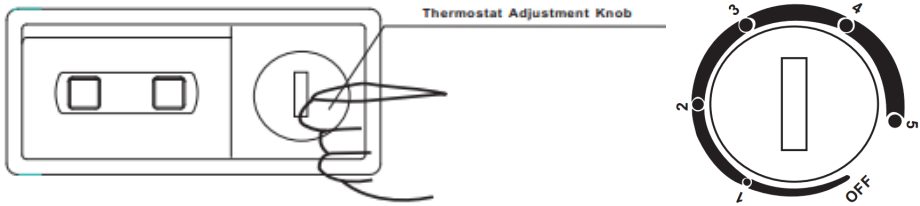
Before you starting to use the freezer, please check the following:

1. The interior is dry and air can circulate freely at the rear.
2. Clean the interior as recommended under "CLEANING AND CARE".
3. Insert the plug into the wall socket and switch on the electricity supply, then the red light will illuminate. Green light will illuminate and the compressor will start running. (Red shows electricity is supplied to unit and Green shows the compressor is working).
4. You will hear a noise as the compressor starts up. The liquid and gases sealed within the refrigeration system may also give rise to noise, whether the compressor is running or not which is normal.
5. If you are going to store already frozen food open the freezer lid and check that the freezer has reached the correct temperature. Then you can put in your already frozen food.
6. Do not load the appliance immediately after it is switched on. Wait until the correct storage temperature has been reached. We recommend that you check the temperature with an accurate thermometer.

Important Notes:

- If there is a power failure do not open the lid. Frozen food should not be affected if the failure lasts for less than 20 hours. If the failure is longer, then the food should be checked and eaten immediately or cooked and then refrozen.
- If you find that the lid of the chest freezer is difficult to open just after you have closed it, this is due to the pressure difference which will equalise and allow the lid to be opened normally after a few minutes.

VI. Freezer Operation



Temperature Adjustment

The temperature of the freezer is adjusted by means of the knob assembled on the thermostat. "1, 2, 3, 4, 5" these numbers do not represent a specific temperature. The smaller the number the higher the temperature, Eg. position "5" is the lowest temperature.

"OFF": Forced Shutdown Point

1—5: Frozen Interval (from -12°C to -30°C)

The achieved temperatures can vary according to the conditions of use of the appliance, such as: place of the appliance, ambient temperature, and frequency of lid opening, extent of filling with food in the freezer. The position of the thermostat knob will change according to these factors. Normally, for an ambient temperature of approx. 25°C , the thermostat should be adjusted to between 3 and 4 on the thermostat adjustment knob.

We recommend that you check the temperature with a thermometer to ensure that the Freezer is kept to the desired temperature. Remember you must take your reading very quickly since the thermometer temperature will rise very rapidly after you remove it from the freezer.

Please remember each time the lid is opened cold air escapes and the internal temperature rises. Therefore never leave the lid open and ensure it is closed immediately after food is put in or removed.

Indicator lights

The indicator light set is placed on the front side of the freezer for easy visibility.

Indicator lights mean the following:

- Red Light – shows that the appliance is supplied with electricity.
- Green Light – shows that the compressor is working.

VII. Instructions for Food Storage

Precautions for use

The appliance might not operate consistently (if there is a possibility of defrosting or temperature becoming too warm in the freezer) when running for an extended period of time below the cold limit of the temperature range for which the appliance is designed

- The information of climate type of the appliance is provided on the rating plate.
- The internal temperature could be affected by such factors as, the location of the appliance, ambient temperature, and frequency of door being opened, etc, and if appropriate, the setting of any temperature control device might have to be varied to allow for these factors.
- Effervescent drinks should not be stored in the freezer. Some products such as water ices should not be consumed too cold.
- The freezer is suitable for the storage of ice cream, frozen food and the foods to be preserved for a long period of time.

Storing Frozen Food

To ensure that the high quality achieved by the frozen food manufacturer and the food retailer is maintained the following should be remembered:

- Put food in the freezer as quickly as possible after purchase.
- Do not exceed "Use By", "Best Before" dates on the packaging.
- The freezer temperature is controlled below -12°C , and it is advisable to store the food for long-term preservation in the freezer, but the storage duration indicated on the food packaging should be adhered to.
- The freezer basket is used to store food that is easy to access.
- Fish and meat of large block size should be cut into small pieces and packed into fresh-keeping bags before they are evenly distributed inside the freezer.
- Do not put a glass container with liquid or canned liquid that is sealed in the freezer compartment, to avoid it bursting due to volume expansion after the liquid becomes frozen.
- Before freezing foods, ensure packing/bag used are dry, this avoids the packaging/bags sticking together frozen.
- To avoid contamination and odour transfer, foods should be packed and/or covered by suitable materials. Eg. firm, tasteless, impervious to air and water, non-toxic, pollution-free.

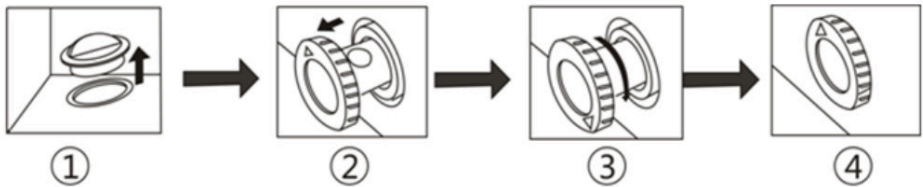
Freezing Fresh Food

- Place fresh food to be frozen near the side walls to ensure fast freezing and away from already frozen food, if possible.
- Never exceed the maximum capacity.
- Do not freeze too large a quantity at any one time.
- The quality of the food is best preserved when it is frozen right through to the centre as quickly as possible.
- Take special care not to mix already frozen food and fresh food.

- Allow the hot foods to cool down to the room temperature before putting them in the freezer.

Defrosting

- Defrost twice a year or when a frost layer of around 7 mm (1/4") has formed.
- Alternatively you may switch off the freezer at the socket outlet and pull out the mains plug.
- Extract the water conduit and put in a water container.
- 6 hours before the defrosting, please set the thermostat knob at the '5' position to make sure the food is at the lowest temperature when you get it out. All food should be wrapped in several layers of newspaper and stored in a cool place (e.g. fridge or larder).
- Remove the freezer basket. Leave the lid open. Containers of warm water may be placed carefully in the freezer to speed up the defrosting.
- Never use hairdryers, electrical heaters or other such electrical appliances for defrosting. When defrosting has finished, flow out defrost water which collects at the bottom of the freezer as the below diagram and dry the interior thoroughly.



1. A drain outlet is designed at the bottom of the freezer liner, and when defrosting, remove its rubber cover (you can find the rubber cover in the freezer accessory bag and be sure to install it by yourself), then the defrosting water flows out and is discharged from the drain pipe. (NOTES: PLEASE KEEP THE RUBBER COVER WELL DURING THE DEFROSTING AND PUT IT BACK AFTER DEFROSTING IS DONE)
2. Extract the water conduit by 20–25mm until the water hole can be seen.
3. Twist the water conduit until the arrow points downward.
4. After defrosting is done, make sure there is no more water coming out before out the water conduit in place and make the arrow point upward.

Important Notes:

- Do not use pointed or sharp-edged objects such as knives or forks to remove the frost.
- Never use hairdryers, electrical heaters or other such electrical appliances for defrosting.
- It is normal that water beads or frosts appear on the freezer collar and door gaskets in the wet weather, which will not affect the normal use. In such case, please clean it with a dry cloth in time.

VIII. CLEANING AND CARE

- We recommend that you switch off the freezer at the socket outlet and pull out the mains plug before cleaning.
- Never use any sharp abrasive instruments, soap, household cleaner, detergent and wax polish for cleaning.
- Use lukewarm water to clean the cabinet of the freezer and wipe it dry.
- Use a damp cloth wrung out in a solution of one teaspoon of bicarbonate of soda to one pint of water to clean the interior and wipe it dry.
- Excess deposit of ice should be removed on a regular basis using a plastic ice scraper. Large accumulation of ice will impair the performance of the freezer.
- If the freezer is not going to be used for a long period of time switch it off, remove all food, clean it and leave the lid ajar.
- Check lid seals regularly to ensure they are clean and free from food particles.

Important: Never use water to wash the compressor position, wipe it with a dry cloth thoroughly after cleaning to prevent rust.

Handy Tips

- Defrost food from the freezer thoroughly in a fridge or in a microwave oven following defrosting and cooking instructions.
- Ensure that the chest freezer lid is completely closed after each use.
- Defrost frozen meat completely before cooking.
- Close the lid gently.
- Check contents of the freezer at regular intervals.
- Clean and defrost your freezer regularly (See "Defrosting")
- Keep food for as short a time as possible and adhere to "Best Before", "Use By" dates.
- Store commercially frozen food in accordance with the instructions given on the packets that you buy.
- Always choose high quality fresh food and be sure it is thoroughly clean before you freeze it.
- Prepare fresh food for freezing in small portions to ensure rapid freezing.
- Wrap all foods in aluminum foil or freezer quality plastic bags and make sure any air is excluded.
- Wrap frozen food when you buy it and put it in to the freezer as soon as possible.
- Store small items in the basket provided.
- Remove ice cream from the freezer 10–20 minutes before serving.

- Do not leave the lid open for long periods as this will make the freezer more costly to run and cause excessive ice formation.
- Do not use pointed sharp edged objects such as knives, forks to remove the ice.
- Do not put hot food in the freezer. Let it cool down first.
- Do not put liquid-filled bottles or sealed cans containing carbonated liquids into the freezer as they may burst.
- Do not store poisonous or dangerous substances in the freezer. Your freezer has been designed for the storage of edible foodstuffs only.
- Do not consume ice-cream and water ices direct from the freezer. The low temperature may cause 'freezer burns' on lips.
- Do not freeze fizzy drinks.
- Do not try to keep frozen food which has thawed, it should be eaten within 24 hours or cooked and refrozen.
- Do not remove items from the freezer with wet hands.
- Do not shut the lid with force. You will damage the appliance.
- This appliance is not intended for use by persons (including children) with reduced physical, sensory or mental capabilities, or lack of experience and knowledge, unless they have been given supervision or instruction concerning use of the appliance by a person responsible for their safety.
- Children should be supervised to ensure that they do not play with the appliance.
- Do not store explosive substances such as aerosol cans with a flammable propellant in this appliance.
- This appliance is intended to be used in household and similar applications such as staff kitchen areas in shops, offices and other working environment farm houses and by clients in hotels, motels and other residential type environments, bed and breakfast type environments catering and similar not-retail applications.
- If the supply cord is damaged, it must be replaced by a service agent or similarly qualified persons in order to avoid a hazard.

VIII. Certifications

Electrical information

This electrical appliance must be grounded.

This product is equipped with a plug, which is suitable for all houses equipped with sockets meeting the current specifications.

If the fitted plug is not suitable for your socket outlets, it should be cut off and carefully disposed of by a qualified electrician. To avoid a possible shock hazard, do not insert the discarded plug into a socket.

This product complies the EEC directives.

IX. Product Support

Declaration of conformance to product standards

This appliance conforms to all relevant standards applicable to domestic appliances sold in the UK

Disposal



This appliance/fitting is marked A according to the European directive 2012/19/EU on Waste Electrical - and Electronic Equipment (WEEE). By ensuring this product is disposed of correctly, you will help prevent potential negative consequences for the environment and human health, which could otherwise be caused by inappropriate waste handling of this product.

The symbol on the product, or on the documents accompanying the product, the crossed out wheeled bin symbol, indicates that this appliance/fitting may not be treated as household waste. Instead it shall be handed over to the applicable collection point for the recycling of electrical and electronic equipment. Disposal must be carried out in accordance with local environmental regulations for waste disposal.

For more detailed information about treatment, recovery and recycling of this product, please contact your local authority, your household waste disposal service or the retailer where you purchased the product.

Old fridges and freezers contain isolation material and refrigerant with CFC. Therefore, take care not to harm the environment when you are discarding your old fridges.

X. Guarantee

Activate your 24 month guarantee

Thank you for choosing New World. Your new product is guaranteed against faults and breakdowns for 24 months. Don't forget to register it with us today so we can provide you with our best possible after-sales service and useful updates.

www.newworldassist.co.uk

Or call 0333 3052263

Your New World Guarantee

This product is guaranteed for 24 months from the date of original purchase. Any defect that arises due to faulty materials or workmanship will be repaired free of charge (or if applicable the product will be replaced or the purchase price refunded) where possible during this period by the dealer from who you purchased the unit.

The guarantee is subject to the following provisions:

- The guarantee does not cover accidental damage, misuse, cabinet parts, knobs or consumable items.
- The product must be correctly installed and operated in accordance with the instructions contained in the manual.
- It must be used solely for domestic purposes. The guarantee will be rendered invalid if the product is re-sold or has been damaged by inexpert repair.
- Specifications are subject to change without notice.
- New World disclaim any liability for loss or damage arising from the breakdown of the product.
- This guarantee is in addition to and does not diminish your statutory or legal rights.

Important Data Protection Information

To find out how we use your data please refer to the guarantee registration material or visit www.newworldassist.co.uk

